



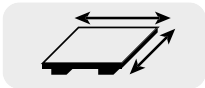
Easy Floor

DESCRIPTION AND TECHNICAL DETAILS



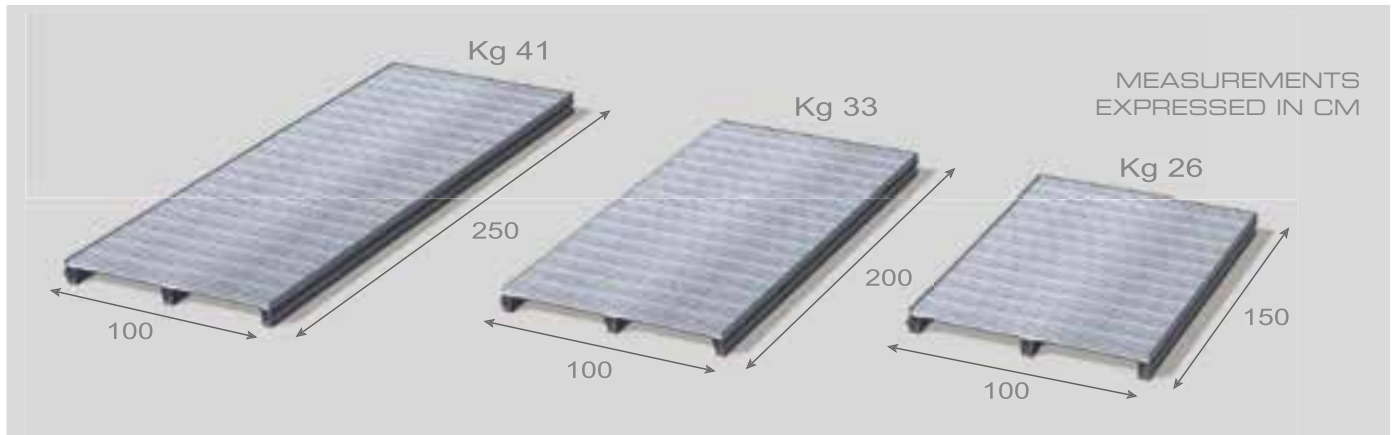
LOAD RESISTANT

The flooring system has been designed to bear loads of up to 600 kg per square meter.



AVAILABLE IN DIFFERENT SIZES

The panels are available in different sizes.



FIRE RETARDANT (CLASS 0)

The flooring system consists of panels made out of class 0 fire retardant materials.



ANTI-SLIP AND EASY CLEAN

Special milling on the surface renders the flooring panels anti-slip and easy to clean and maintain.



STACKABLE

The pre-assembled panels, available in several sizes, can be easily transported and stacked up.



SOUNDPROOFING

The aluminium flooring system is fitted with rubber profiles for sound proofing the panels and reducing any noises and creaking.

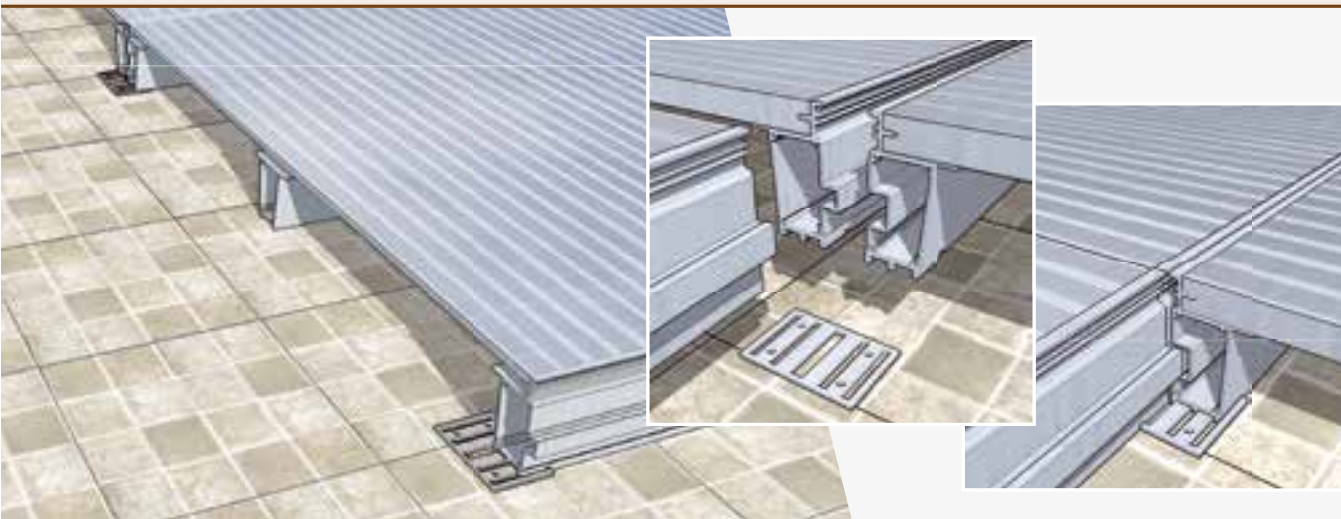


INSTALLATION ON IRREGULAR GROUND



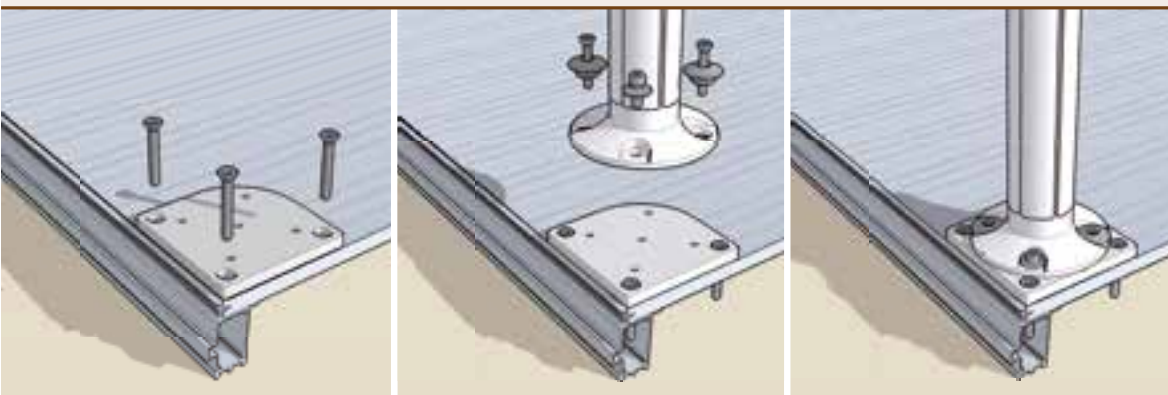
The panels are fitted with special profiles which can be easily coupled to the supporting main profile.

OPTIONS - PLATE FOR INSTALLATION ON FLAT GROUND



Panel connection is provided by a special plate set on the ground.

OPTIONS - TENT INSTALLATION PLATE



In order to anchor the tent foot to "easy floor" a special bracket bolted to the flooring panel can be provided upon request.



Giulio Barbieri S.r.l.

www.giuliobarbieri.it

Via Ferrara, 41

44028 Poggio Renatico (FE) - Italy

info@giuliobarbieri.it

Tel. (+39) 0532 821511

Fax (+39) 0532 821555

